

6

5

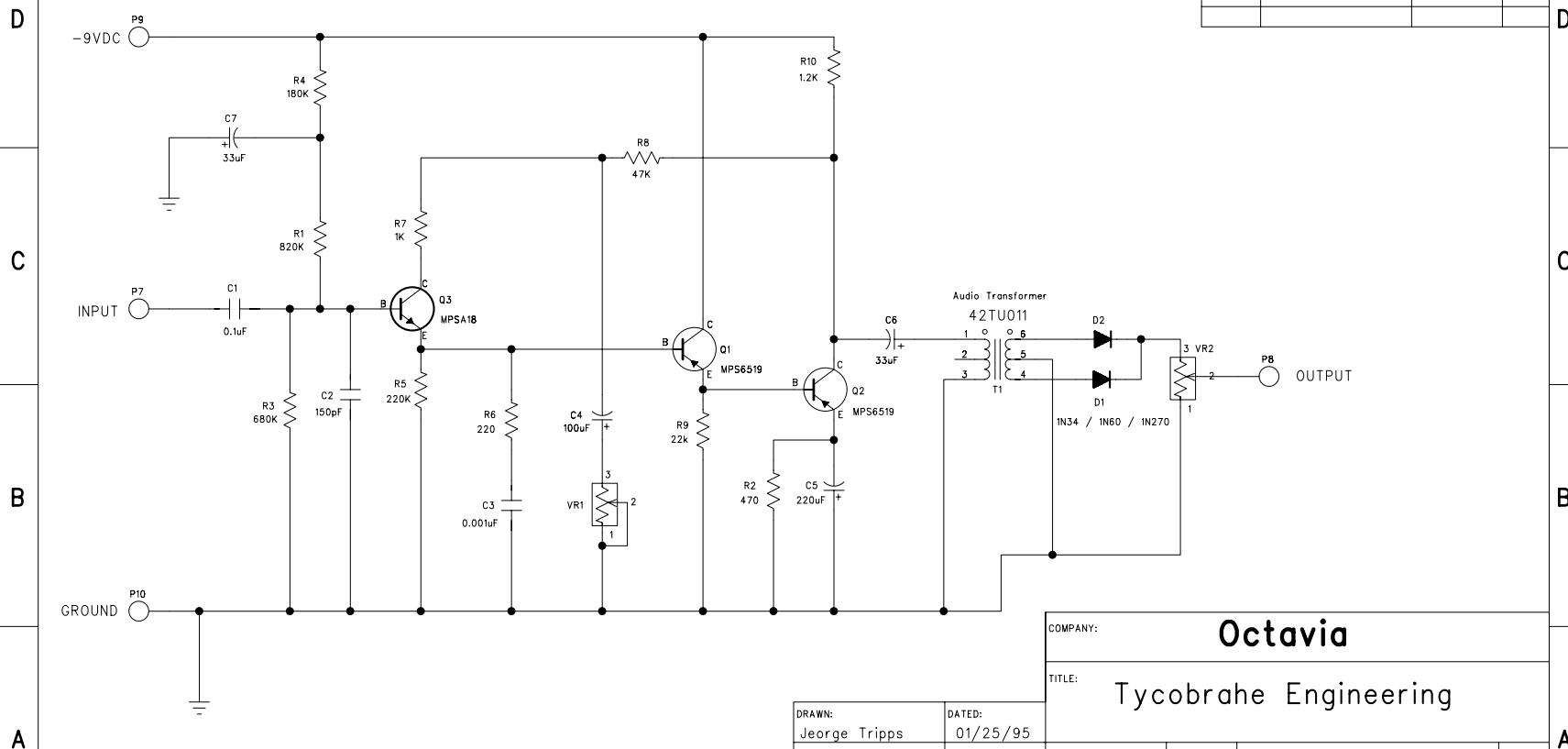
4

3

2

1

REVISION RECORD			
LTR	ECO NO:	APPROVED:	DATE:



COMPANY: **Octavia**

TITLE: **Tycobrahe Engineering**

CODE:	SIZE: B	DRAWING NO:	REV:
SCALE:	SHEET: OF		

DRAWN: George Tripps	DATED: 01/25/95
CHECKED: George Tripps	DATED: 09/27/04
QUALITY CONTROL:	DATED:
RELEASED:	DATED: